

FBW Series - Mini Enclosure

Features and Benefits

Exterior or interior Box for SMPTE 304 & opticalCON

Weather-Proof Stainless Steel or Indoor-Rated Steel Version

Internal Fiber Breakout

Bottom Cut Out Allows Cable Attachment With Door Closed

Distributes Hybrid Connector Over Fiber and Copper Distribution, SMPTE 311 or 3-Channel Hybrid Cables

Available in 1-,2- or 3- Channel Configurations



FBW Series	Size Code	Material/Color	# of Connections	Connection Code	Breakout Code	Handle Options
X-FBW	12108	SS	1	P		

Box Size	Box Material	Connection Options	Breakout Connector	Handle / Lock
12" x 10" x 8" = 12108	G Powder Coated Steel - Gray LG Powder Coated Steel - Light Gray SS Stainless Steel	P SMPTE Plug S SMPTE Socket OCD OpticalCON Duo OCQ OpticalCON Quad	LC SC ST	Blank* QTR turn lock QL Key Lock WL Wing knob lock WK Wing knob non-lock

Latch Options		
QTR turn slot	QL	WL

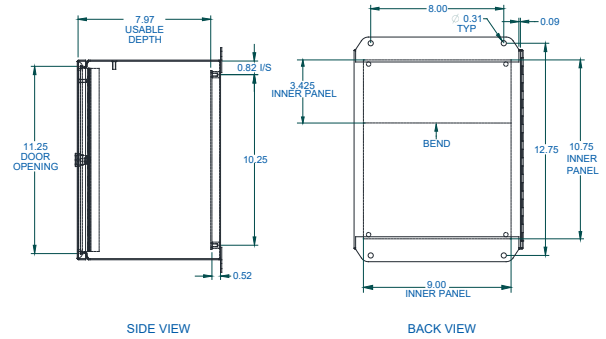
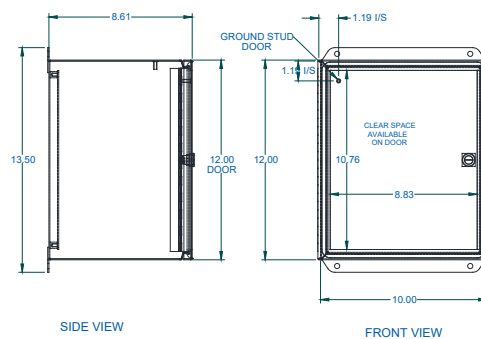
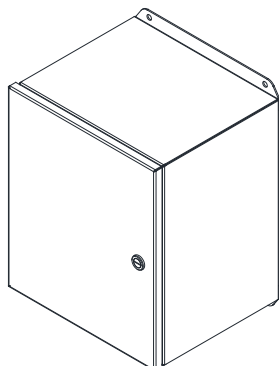
*Enclosure come standard with quarter turn latches, leaving handle option blank will default to this selection

Optical Connector Specification

SMPTE 304 LEMO® Stainless Steel Connector (Plug or Socket)
 SMPTE 304SC Dust Cap with Weather Seal and Coated Lanyard
 opticalCON Duo
 opticalCON Quad

Electrical Breakout Specification

6-Pin AMP® MATE-N-LOK® Cap: 3 Pins, 2 Sockets



#18101