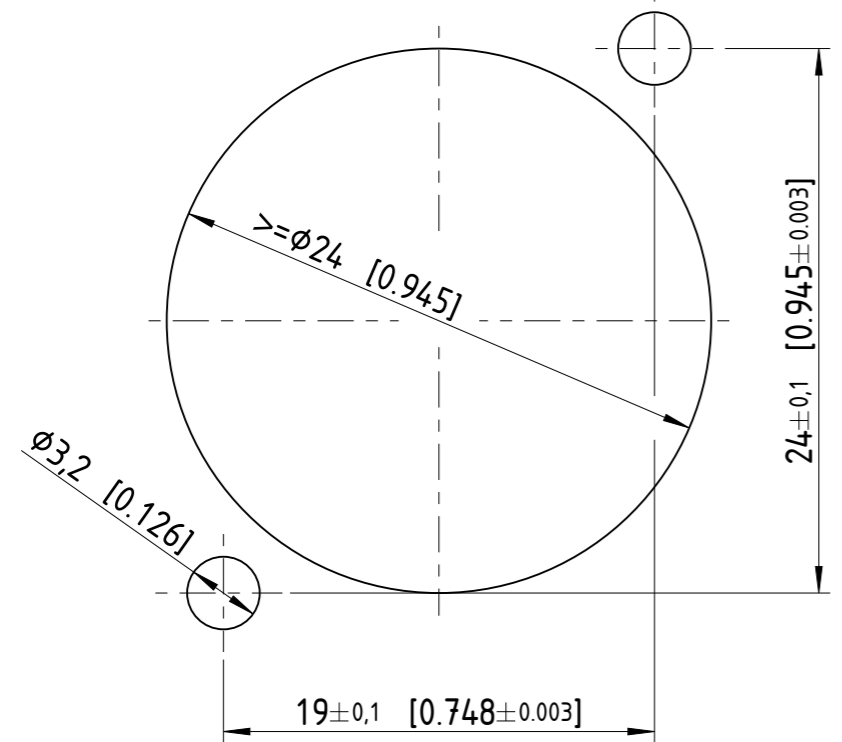


Frontplattenausschnitt (Rueckseite)
Panel cut out (rear side)



Sheet Number 1/1	Projection 	Scale 1.5:1	Format A3	General Tolerancing ISO 2768 mK	
Description			Created on/by	11.10.2017	Ender N.
NE8FDP*-TOP			Approved on/by	06.03.2023	Mangeng M.
			Article ID NE8FDP-B-T OP	Model ID 30009929	Drawing ID 20004014
Status	Revision	ECN Number	Neutrik Group		
Released	-	-			